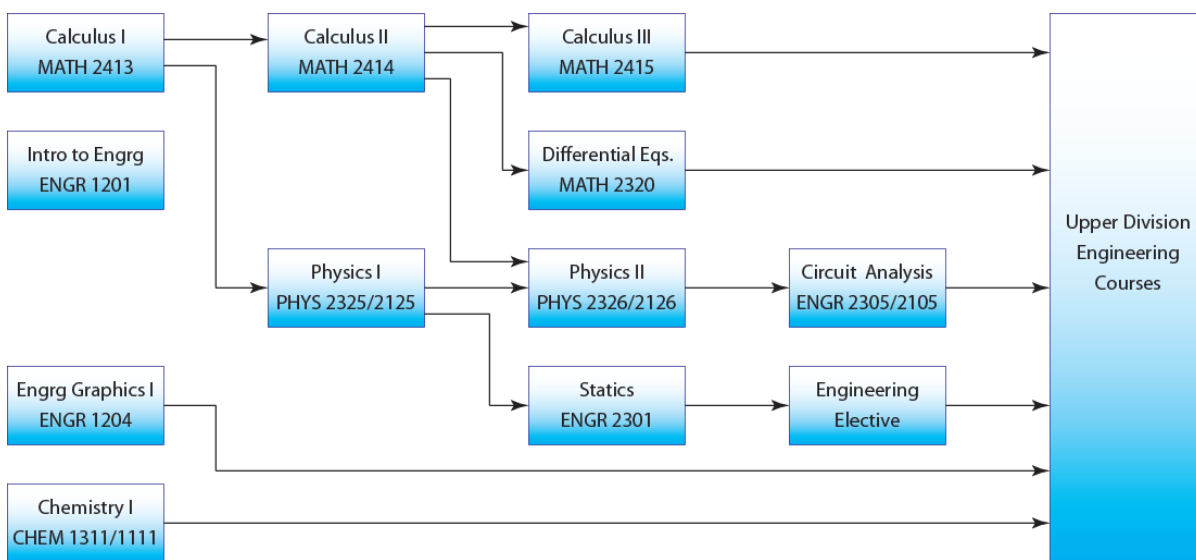


Freshman Year

First Semester (Fall)			Second Semester (Spring)		
Course		Hrs	Course		Hrs
HIST 1301	American History	3	ENGR 1204	Engineering Graphics	2
ENGL 1301	Grammar and Composition I	3	ENGL 1302	Grammar and Composition II	3
MATH 2413	Calculus I	4	MATH 2414	Calculus II	4
CHEM 1311	General Chemistry I	3	PHYS 2325	University Physics I	3
CHEM 1111	General Chemistry I Laboratory	1	PHYS 2125	University Physics I Laboratory	1
ENGR 1201	Introduction to Engineering	2	GOVT 2306	Texas Politics	3
Semester Credit Hours			Semester Credit Hours		
16			16		

Sophomore Year

First Semester (Fall)			Second Semester (Spring)		
Course		Hrs	Course		Hrs
ENGR 2304	Programming for Engineers	3	ENGR 2305	Circuit Analysis I	3
ECON 230x	Economics 2301 or 2302	3	ENGR 2105	Circuit Analysis I Laboratory	1
ENGR 2301	Engineering Mechanics—Statics	3	MATH 2320	Differential Equations	3
MATH 2415	Multi-Variable Calculus	4		Engineering Elective	3
PHYS 2326	University Physics II	3		Visual and Performing Arts Core Curriculum	3
PHYS 2126	University Physics II Laboratory	1		World or European Literature	3
Semester Credit Hours			Semester Credit Hours		
17			16		



Notes:

1. Courses shaded in yellow are courses that satisfy the Texas Core Curriculum Requirements. The curriculum contains 35 credit hours of the required 44 credit hours. The remaining 9 credit hours will be attained in the completion curriculum.
2. Texas Common Course Numbers were used for all TCCN numbered courses.
3. The courses indicated in green are courses that may need to be created at the community college.
4. Engineering Elective:
 - a. Students interested in pursuing mechanical or civil engineering should take ENGR 2302: Engineering Mechanics—Dynamics as the engineering elective.
 - b. Students interested in pursuing electrical engineering should take COSC 1420—C/C++ Structured Programming or equivalent, as the engineering elective.
 - c. Students interested in pursuing industrial engineering should ENGR 23xx—Engineering Economics as the engineering elective.
5. Visual and Performing Arts Elective: The Visual and Performing Arts Core Curriculum elective should be selected from MUSI 1306, DRAM 1310, or ARTS 1301.

