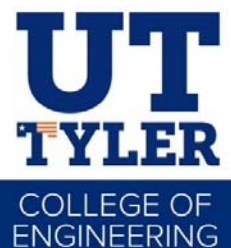


# THE UNIVERSITY OF TEXAS AT TYLER 2019-2020 SPONSORSHIP

RED DIRT RACING | BAJA SAE



## ABOUT BAJA SAE

SAE (Society of Automotive Engineers) International's Collegiate Design Series (CDS) competitions take students beyond textbook theory by enabling them to design, build, and test the performance of a real vehicle and then compete with other students from around the globe in exciting and intense competitions.

All CDS competitions prepare undergraduate and graduate engineering students in a variety of disciplines for future employment in mobility-related industries by challenging them with a hands-on, team engineering experience that also requires budgeting, communication, project management, and resource management skills. Students also gain valuable exposure with recruiters from leading companies in the mobility industry to help land their first engineering job after graduation.

In Baja SAE, engineering students are tasked with designing and building a single-seat, all-terrain sporting vehicle that is to be a prototype for a reliable, maintainable, ergonomic, and economic production vehicle that serves a recreational user market. The students must function as a team to design, engineer, build, test, promote, and compete with a vehicle within the limits of the rules. The students must also generate financial support for their project and manage their educational priorities.

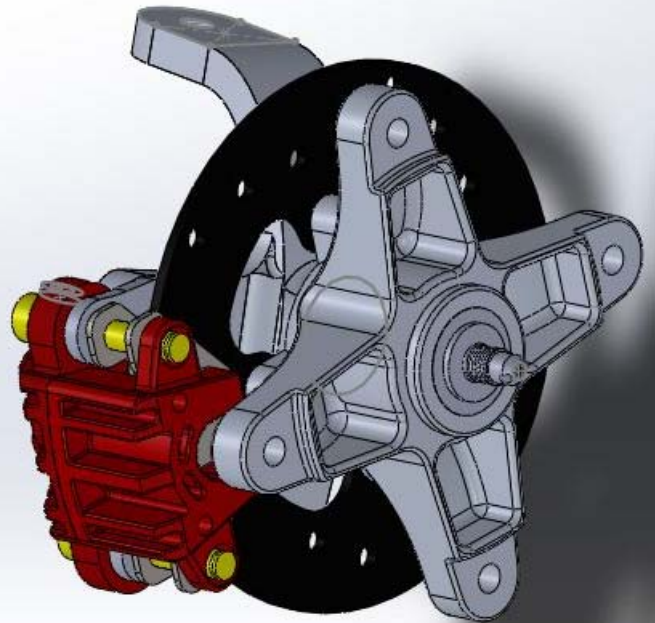


# PHOTO GALLERY



**UT  
TYLER**

COLLEGE OF  
ENGINEERING



# EXPECTED EXPENSES

## SHOP

Consumables	\$800.00
Welding Gas	\$500.00
<b>TOTAL</b>	<b>\$1,300.00</b>

## VEHICLE

Electrical/DAQ	\$500.00
Sheet Metal	\$1,000.00
Suspension	\$1,000.00
Drivetrain	\$1,500.00
Hardware	\$500.00
<b>TOTAL</b>	<b>\$4,500.00</b>

## TRAVEL

Location	Tucson
Registration	\$1,300.00
Fuel	\$1,000.00
Van Rental	\$200.00
Truck Rental	\$200.00
Hotels (5 rooms/7 nights)	\$4,200.00
<b>TOTAL</b>	<b>\$6,900.00</b>

---

**Grand Total: \$12,700.00**

# SPONSORSHIP LEVELS

## Title Sponsor (\$3,000)

- X-LARGE LOGO ON THREE (3) PRIME AREAS OF VEHICLE
  - LARGE LOGO ON TEAM SHIRTS
  - VEHICLE AT BUSINESS FOR 1 WEEK
  - FIRST-TIER LOGO ON WEBSITE
  - AUTOGRAPHED TEAM PHOTO WITH SPONSOR
  - SHOUT OUT ON SOCIAL MEDIA
- 

## Diamond Sponsor (\$2,000)

- LOGO ON VEHICLE
  - MEDIUM LOGO ON TEAM SHIRTS
  - VEHICLE AT BUSINESS FOR WEEKEND
  - LOGO ON WEBSITE
  - SHOUT OUT ON SOCIAL MEDIA
- 

## Titanium Sponsor (\$1,000)

- SMALL LOGO ON VEHICLE
  - LOGO ON TEAM SHIRTS
  - LOGO ON WEBSITE
  - SHOUT OUT ON SOCIAL MEDIA
- 

## Silver Sponsor (\$500)

- LOGO ON TEAM SHIRTS
  - LOGO ON WEBSITE
  - SHOUT OUT ON SOCIAL MEDIA
- 

## Copper Sponsor (\$100)

- SMALL LOGO ON TEAM SHIRTS
- SHOUT OUT ON SOCIAL MEDIA

## SPONSORSHIP AGREEMENT

Company Name: \_\_\_\_\_

Address: \_\_\_\_\_

City: \_\_\_\_\_ State: \_\_\_\_\_ Zip Code: \_\_\_\_\_

Contact Name: \_\_\_\_\_

Phone Number: \_\_\_\_\_ Email: \_\_\_\_\_

### Sponsorship Levels

- |   |         |   |       |
|---|---------|---|-------|
| <input type="checkbox"/> Title Sponsor    | \$3000+ | <input type="checkbox"/> Silver Sponsor | \$500 |
| <input type="checkbox"/> Diamond Sponsor  | \$2000  | <input type="checkbox"/> Copper Sponsor | \$100 |
| <input type="checkbox"/> Titanium Sponsor | \$1000  |   |       |

\_\_\_\_\_  
Sponsor Signature

\_\_\_\_\_  
Date

Please sign and return the completed form along with stickers/logo information and supporting documents to:

**The University of Texas at Tyler, Mechanical Engineering Dept., SAE International Collegiate Chapter**

**3900 University Boulevard, Tyler, TX 75799**

**Faculty Advisor: Dr. Tahsin Khajah [Tkhajah@uttyler.edu](mailto:Tkhajah@uttyler.edu)**

**Contact me at [Jcastillo9@patriots.uttyler.edu](mailto:Jcastillo9@patriots.uttyler.edu) (Cell : (214) 207-7737)**

**Contact the team at [UTTylerBAJA@gmail.com](mailto:UTTylerBAJA@gmail.com)**